



REFRIGERATION

SERVING THE FOOD INDUSTRY SINCE 1951

26-INCH ICE CREAM DISPLAY CHEST FREEZER WITH FLAT GLASS TOP

Item: 46492 Model: FR-CN-0160-R

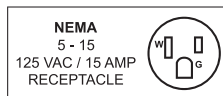
Designed to merchandise and provide increased sales of frozen novelties and seasonal specialties

Omcans 26-inch ice cream display chest freezer is designed to merchandise and provide increased sales of frozen novelties and seasonal specialties. Its flat glass top puts your products in clear view of your customers. With 5.5 cu.ft. of storage, this freezer gives a spacious interior to keep an abundance of frozen products. For ice cream parlours, convenience stores and supermarkets, it has a sleek, attractive unit that is guaranteed to keep up with the demands of your establishment.



PRODUCT FEATURES

- 5.5 cu.ft. of storage
- Exterior Material: Durable white powder coated steel
- Interior Material: Pre-coated steel
- Designed with sliding door and a built-in lock for security
- 4 casters; 2 with brakes
- Fits 2 baskets



Authorized Dealer

REFRIGERATION

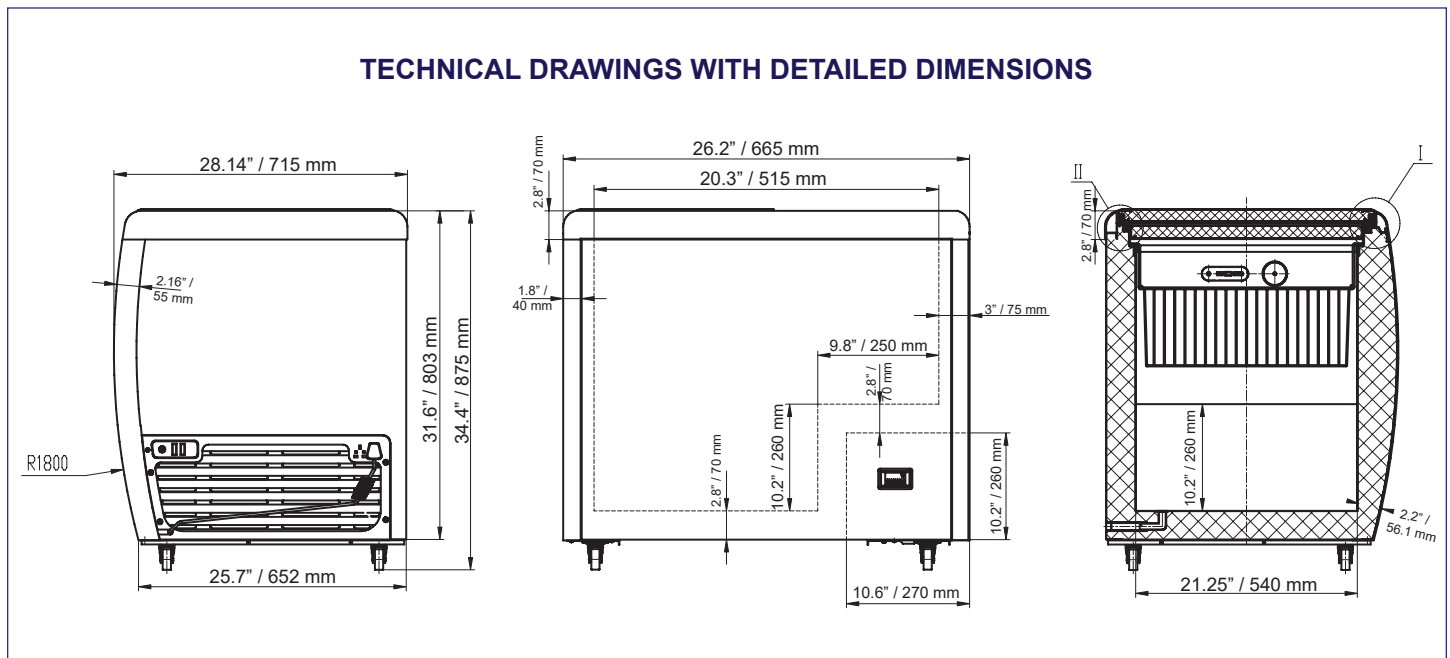
26-INCH ICE CREAM DISPLAY CHEST FREEZER



TECHNICAL SPECIFICATIONS

ITEM NUMBER	46492
MODEL	FR-CN-0160-R
CAPACITY (CU. FT.)	5.5 cu. ft.
COMPRESSOR POWER	1/4+ HP
POWER	210 W
AMPS	3
NUMBER OF DOORS	2
NUMBER OF BASKETS INCLUDED	2
MAX. NUMBER OF BASKETS THAT CAN FIT	2
TEMPERATURE RANGE	-15°F to 40°F / -26°C to 4°C
REFRIGERANT	R290
ELECTRICAL	110V / 60Hz / 1Ph
DIMENSIONS (DWH)	28.14" x 26.2" x 34.4" / 715 x 665 x 875 mm
WEIGHT	101 lbs. / 45.8 kg.
GROSS DIMENSIONS	30" x 29.13" x 37.4" / 762 x 740 x 950 mm
GROSS WEIGHT	115 lbs. / 52.16 kg.

TECHNICAL DRAWINGS WITH DETAILED DIMENSIONS



OMCAN INC.

Telephone: 1-800-465-0234

Fax: (905) 607-0234

E-mail: sales@omcan.com

Website: www.omcan.com



Follow us to keep up to date
with the latest news and offers



2019.E.O.E